



# BULL15M



## COMMERCIAL USE

control unit with built-in encoder and receiver  
personalised release key



**up to 1500 kg**



### CONTROL UNITS:

**BULL15M** ——— CP.BULL-RI 151

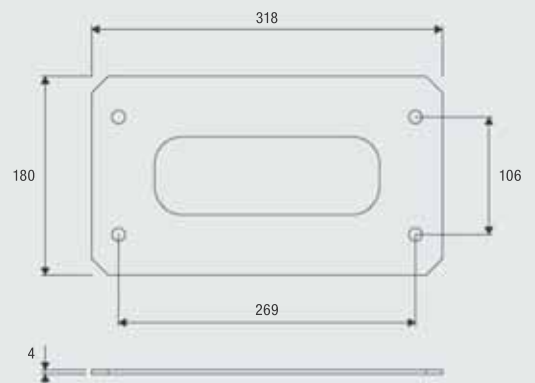
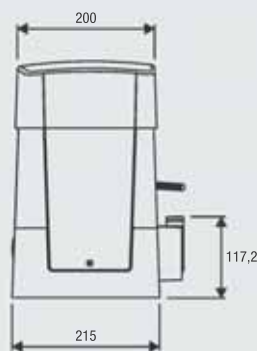
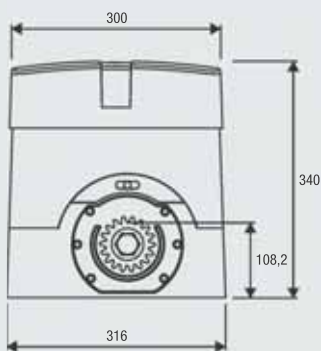
**BULL15M.S** ——— CP.BULL-RI 151

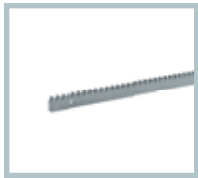


## 230 Vac

- 230 Vac geared motor with built-in control unit and encoder
- The encoder device ensures crush prevention and precision in the gate moving phases
- Metal release lever
- Version equipped with magnetic limit switches available (BULL15M.S)

Foundation plate with anchor bolts included.  
Motor and floor fixing distance  
269 mm x 106 mm, no. 4 Ø 12 mm.





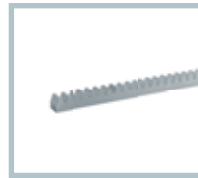
**RI.M4F**  
M4 rack, to weld or attach with screws, 30x12x1000 mm slotted and galvanised. Supplied with M6 metric screws and threaded spacers.  
**Package of 4 pcs.**



**RI.M4Z**  
M4 galvanised rack to weld 22x22x2000 mm.  
**Package of 2 pcs.**



**RI.M4ZF**  
Galvanised slotted M4 rack 22x22x2010 mm for fastening to the side with the teeth. Supplied with M6 screws.  
**Package of 1 pc.**



**RI.M6Z**  
M6 galvanised rack to weld 30x30x2000 mm. Requires pinion RI.P6.



**RI.P6**  
M6 gear, it needs the rack RI.M6Z.



**BULL.PI**  
Raised foundation plate. Height 32 mm. Floor fixing distance 280x170 mm, no. 4 Ø 11 mm, motor fixing distance 269x106 mm n.4 M10.



**SB.BULL20.F**  
Externally fitted anti-intrusion cable unlock device (L=4.5m).



**ID.TA**  
Warning board.



**IRI.TX4VA**  
4-channel transmitter with Advanced Rolling Code and Rolling Code.



**IRI.TX4AK**  
4-channel transmitter with Advanced Rolling Code and Fixed Code.



**IRI.LAMP**  
White full range flashing light, 20-255 VAC with built-in aerial.



**IRI.KPAD**  
Battery operated wireless vandal-proof digital keypad with alert buzzer and backlit buttons. Triple coding: Rolling Code, Programmable Code and Advanced Rolling Code. 254 memorisable codes.



**IRI.CELL**  
Pair of vandal-proof metal covers for PUPILLA/PUPILLA.R photocells, comprising front and rear shells with concealed screw. They can maintain perfect orientation over 180°.



**PUPILLA**  
Pair of photocells adjustable to 180°. Option to synchronise up to 4 pairs, 24 VAC/DC power supply. Easy adjustment through a LED that signals optimal alignment. Compact size: 36x110x35 mm



**DA.2S**  
Electronic board that allows synchronised movement of 2 automation devices (opposed sliding gates).

TECHNICAL DATA	BULL15M*	BULL15M.S*
Power supply	230 Vac (50-60Hz)	230 Vac (50-60Hz)
Motor supply	230 Vac	230 Vac
Max absorbed current	2.5 A	2.5 A
Max Thrust	1250 N	1250 N
Opening speed	10.5 m/min	10.5 m/min
Duty cycle	60%	60%
Protection level	IP44	IP44
Magnetic limit switches	NO	YES
Operating temperature	-20°C /+50°C	-20°C /+50°C
Max gate weight	1500 kg	1500 kg
Driving gear for rack	M4 Z18	M4 Z18
Weight	19.6 kg	20.1 kg
Items no. per pallet	20	20

\* Available in 115 VAC version