



230_{VAC}

BULL20 HE



CONTROL UNITS:

BULL20 HE ——— CP.BULL20-HE 152



COMMERCIAL | INDUSTRIAL USE

control unit with built-in encoder and receiver
oil lubricated reductions
personalised release key
self-ventilated for very intense use



up to 2000 kg

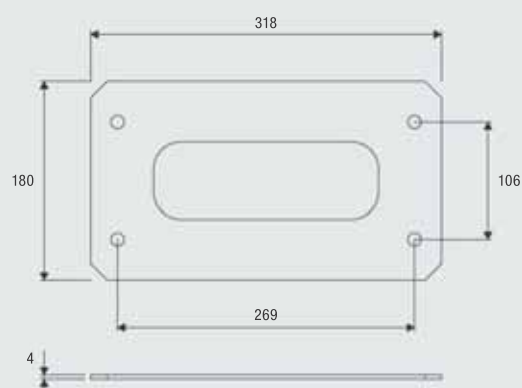
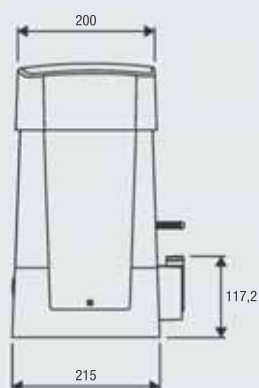
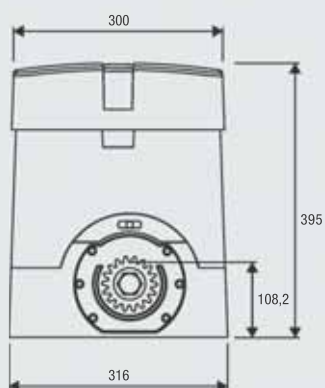


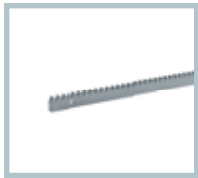
230 Vac

- Self-ventilated 230 VAC geared motor for intensive use with oil lubricated reductions
- Thanks to the characteristics of the new electric motor, this product is particularly indicated for very intense use
- The encoder guarantees maximum safety and precision while the gate is moving
- Metal release lever



Foundation plate with anchor bolts included.
Motor and floor fixing distance
269 mm x 106 mm, no. 4 Ø 12 mm.



**RI.M4F**

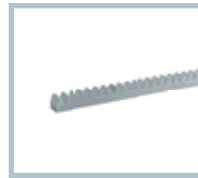
M4 rack, to weld or attach with screws, 30x12x1000 mm slotted and galvanised. Supplied with M6 metric screws and threaded spacers.
Package of 4 pcs.

**RI.M4Z**

M4 galvanised rack to weld 22x22x2000 mm.
Package of 2 pcs.

**RI.M4ZF**

Galvanised slotted M4 rack 22x22x2010 mm for fastening to the side with the teeth. Supplied with M6 screws.
Package of 1 pc.

**RI.M6Z**

M6 galvanised rack to weld 30x30x2000 mm. Requires pinion RI.P6.

**RI.P6**

M6 gear, it needs the rack RI.M6Z.

**BULL.PI**

Raised foundation plate. Height 32 mm. Floor fixing distance 280x170 mm, no. 4 Ø 11 mm, motor fixing distance 269x106 mm n.4 M10.

**SB.BULL20.F**

Externally fitted anti-intrusion cable unlock device (L=4.5m).

**RF.SUN**

Battery-operated device recharged by means of a photovoltaic panel applied on a mobile edge.

**RF**

Device with a non-rechargeable battery, with guaranteed duration 2 years.

**SC.RF**

Device powered at 12/24 Vdc with self-test function and 2 outputs for connection to the electronic control units.

**ID.TA**

Warning board.

**IRI.TX4VA**

4-channel transmitter with Advanced Rolling Code and Rolling Code.

**IRI.TX4AK**

4-channel transmitter with Advanced Rolling Code and Fixed Code.

**IRI.LAMP**

White full range flashing light, 20-255 VAC with built-in aerial.

**IRI.KPAD**

Battery operated wireless vandal-proof digital keypad with alert buzzer and backlit buttons. Triple coding: Rolling Code, Programmable Code and Advanced Rolling Code. 254 memorisable codes.

**IRI.CELL**

Pair of vandal-proof metal covers for PUPILLA/PUPILLA.R photocells, comprising front and rear shells with concealed screw. They can maintain perfect orientation over 180°.

**PUPILLA**

Pair of photocells adjustable to 180°. Option to synchronise up to 4 pairs, 24 VAC/DC power supply. Easy adjustment through a LED that signals optimal alignment. Compact size: 36x110x35 mm

**DA.2S**

Electronic board that allows synchronised movement of 2 automation devices (opposed sliding gates).

TECHNICAL DATA	BULL20 HE*
Power supply	230 Vac (50Hz)
Motor supply	230 Vac
Max absorbed current	3 A
Max Thrust	1100 N
Max opening speed	10.5 m/min
Duty cycle	80%**
Protection level	IP44
Magnetic limit switches	YES
Operating temperature	-20°C /+50°C
Lubrication	OIL
Max gate weight	2000 kg
Driving gear for rack	M4 Z18
Weight	21.4 kg
Items no. per pallet	20

* Available in 115 VAC version | ** In extreme operating conditions (environment T 50°C, gate weight 2000 kg) the cycle falls to 60%