



230_{VAC}

BULL5M



CONTROL UNITS:

BULL5M ————— CP.CORE 149



RESIDENTIAL USE

with integrated control unit and receiver
personalised release key



up to 500 kg

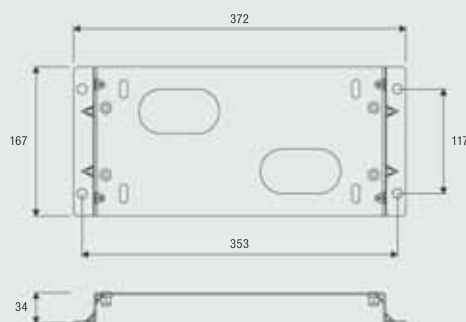
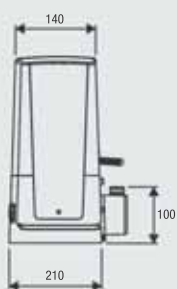
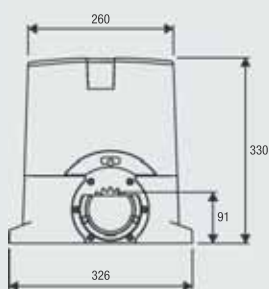


230 Vac

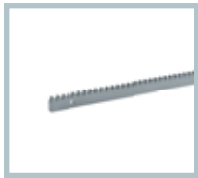
- Electromechanical 230 Vac geared motor with built-in control unit
- Optional encoder connection using MAG.E accessory
- The encoder device ensures crush prevention and precision in the gate moving phases
- Metal release lever
- Magnetic limit switches accessory available (MLS)



Raised foundation plate included. Height 34 mm. Floor fixing distance 353x117 mm, no. 4 Ø 11 mm, motor fixing distance 300x75 mm n.4 M8.



COMPLETE KITS					
KBULL5M	1x BULL5M	1x PUPILLA.R	1x LAMPI.LED	1x TOKEY	1x TO.GO2VA

**RI.M4F**

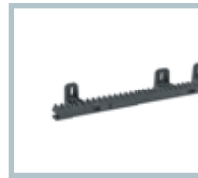
M4 rack, to weld or attach with screws, 30x12x1000 mm slotted and galvanised. Supplied with M6 metric screws and threaded spacers.
Package of 4 pcs.

**RI.M4Z**

M4 galvanised rack to weld 22x22x2000 mm.
Package of 2 pcs.

**RI.M4ZF**

Galvanised slotted M4 rack 22x22x2010 mm for fastening to the side with the teeth. Supplied with M6 screws.
Package of 1 pc.

**RI.M4P**

Nylon rack with steel core, to attach with screws, M4, 28x40x1000 mm. Slotted, provided with self-drilling screws.
Package of 10 pcs.

**BULL.P3**

Raised foundation plate. Height 34 mm. Floor fixing distance 260x117 mm, no. 4 Ø 11 mm, motor fixing distance 300x75 mm n.4 M8.

**SB.BULL8.F**

Externally fitted anti-intrusion cable unlock device (L=4.5m).

**MAG.E**

Magnetic sensor device to detect obstacles and manage deceleration.

**MLS**

Magnetic limit switches. Suitable for snowy places.

**ID.TA**

Warning board.

**IRI.TX4VA**

4-channel transmitter with Advanced Rolling Code and Rolling Code.

**IRI.TX4AK**

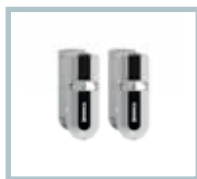
4-channel transmitter with Advanced Rolling Code and Fixed Code.

**IRI.LAMP**

White full range flashing light, 20-255 VAC with built-in aerial.

**IRI.KPAD**

Battery operated wireless vandal-proof digital keypad with alert buzzer and backlit buttons. Triple coding: Rolling Code, Programmable Code and Advanced Rolling Code. 254 memorisable codes.

**IRI.CELL**

Pair of vandal-proof metal covers for PUPILLA/PUPILLA.R photocells, comprising front and rear shells with concealed screw. They can maintain perfect orientation over 180°.

**PUPILLA**

Pair of photocells adjustable to 180°. Option to synchronise up to 4 pairs, 24 VAC/DC power supply. Easy adjustment through a LED that signals optimal alignment. Compact size: 36x110x35 mm

**DA.2S**

Electronic board that allows synchronised movement of 2 automation devices (opposed sliding gates).

TECHNICAL DATA	BULL5M*
Power supply	230 Vac (50-60Hz)
Motor supply	230 Vac
Max absorbed current	1.3 A
Max Thrust	650 N
Opening speed	10.5 m/min
Duty cycle	30%
Protection level	IP44
Operating temperature	-20°C /+50°C
Max gate weight	500 kg
Driving gear for rack	M4 Z18
Weight	11.3 kg
Items no. per pallet	40
Kit weight	12.1 kg
Kits no. per pallet	40

* Available in 115 VAC version